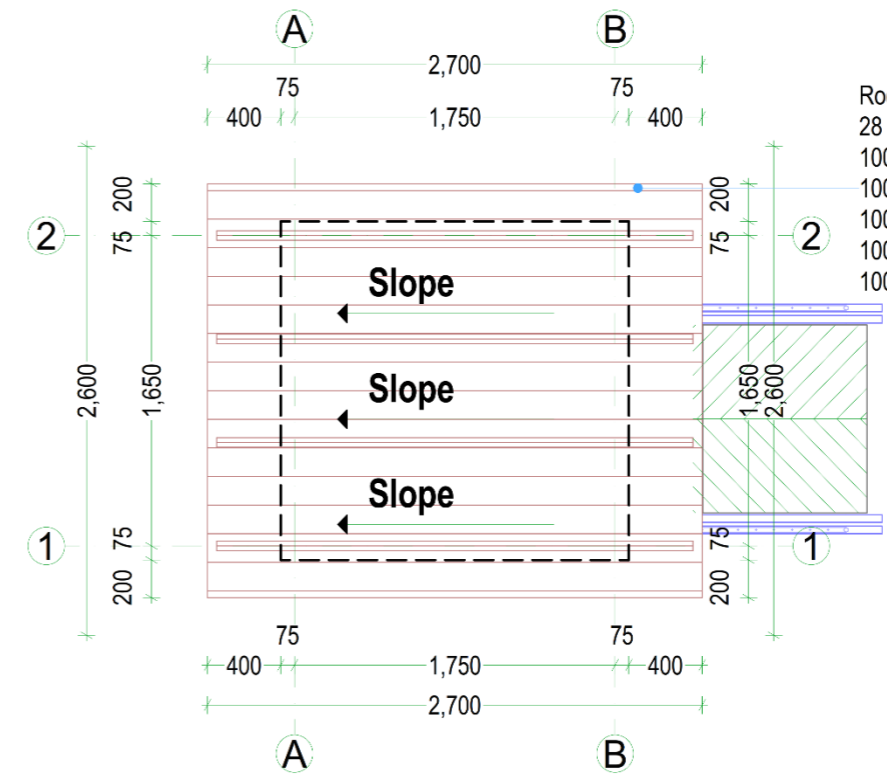
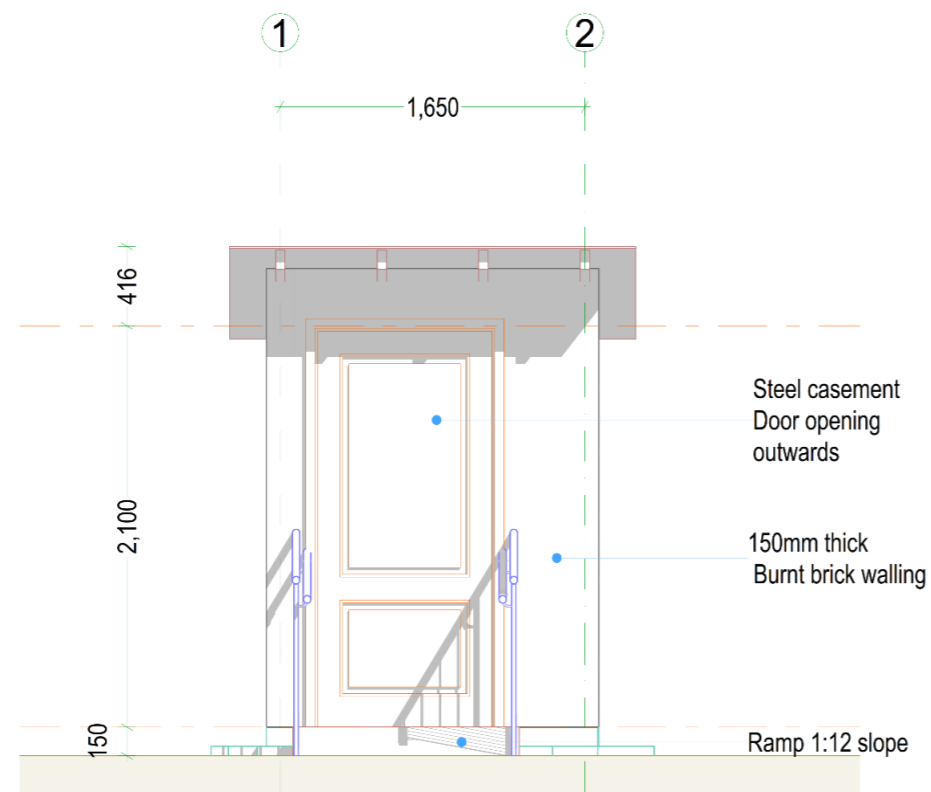


GROUND FLOOR PLAN
SCALE 1:50

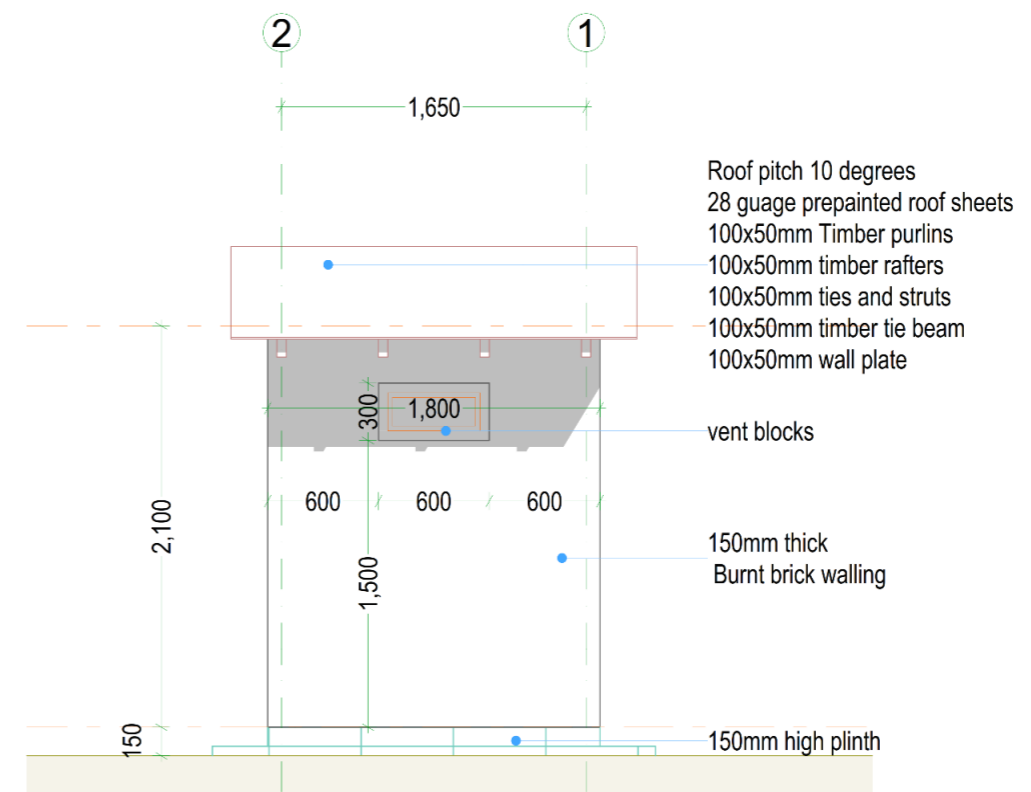


ROOF PLAN
SCALE 1:50

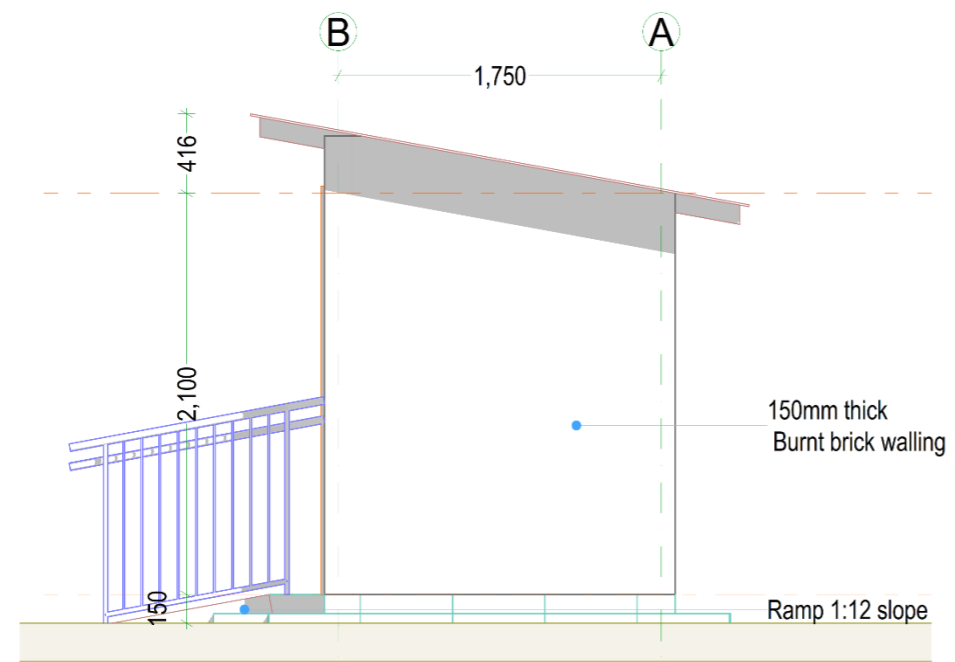
PROJECT TITLE:	FUNDED BY:	IMPLEMENTING AGENCY:	SHEET	1/5	DRAWING TITLE PROPOSED CONSTRUCTION OF PWD LATRINE
PROVISION OF LIFE SAVING SUPPORT TO IDPS AND HOST COMMUNITIES IN DAYNILE – BENADIR REGION			SCALE	1:100	
			DESIGNED		



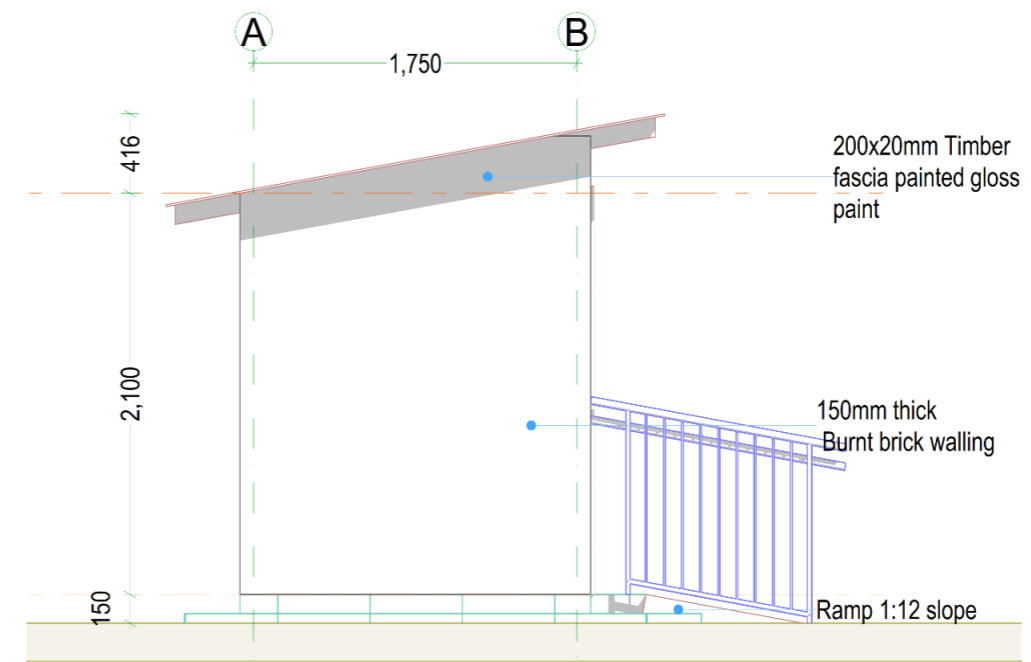
ELEVATION 01



ELEVATION 03

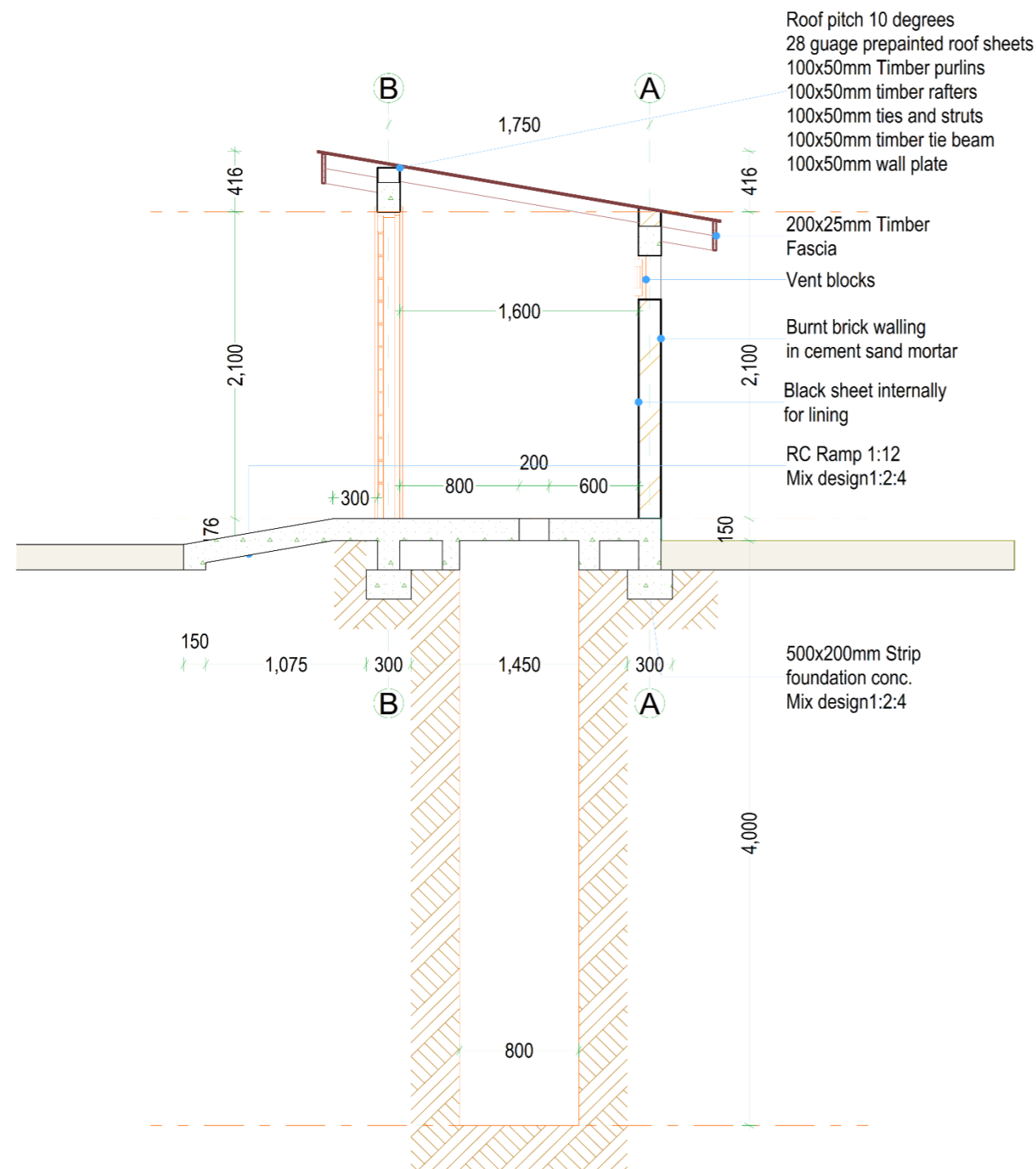


ELEVATION 02



ELEVATION 04

PROJECT TITLE:	FUNDED BY:	IMPLEMENTING AGENCY:	SHEET	2/5	DRAWING TITLE PROPOSED CONSTRUCTION OF PWD LATRINE
PROVISION OF LIFE SAVING SUPPORT TO IDPS AND HOST COMMUNITIES IN DAYNILE – BENADIR REGION			SCALE	1:100	
			DESIGNED		

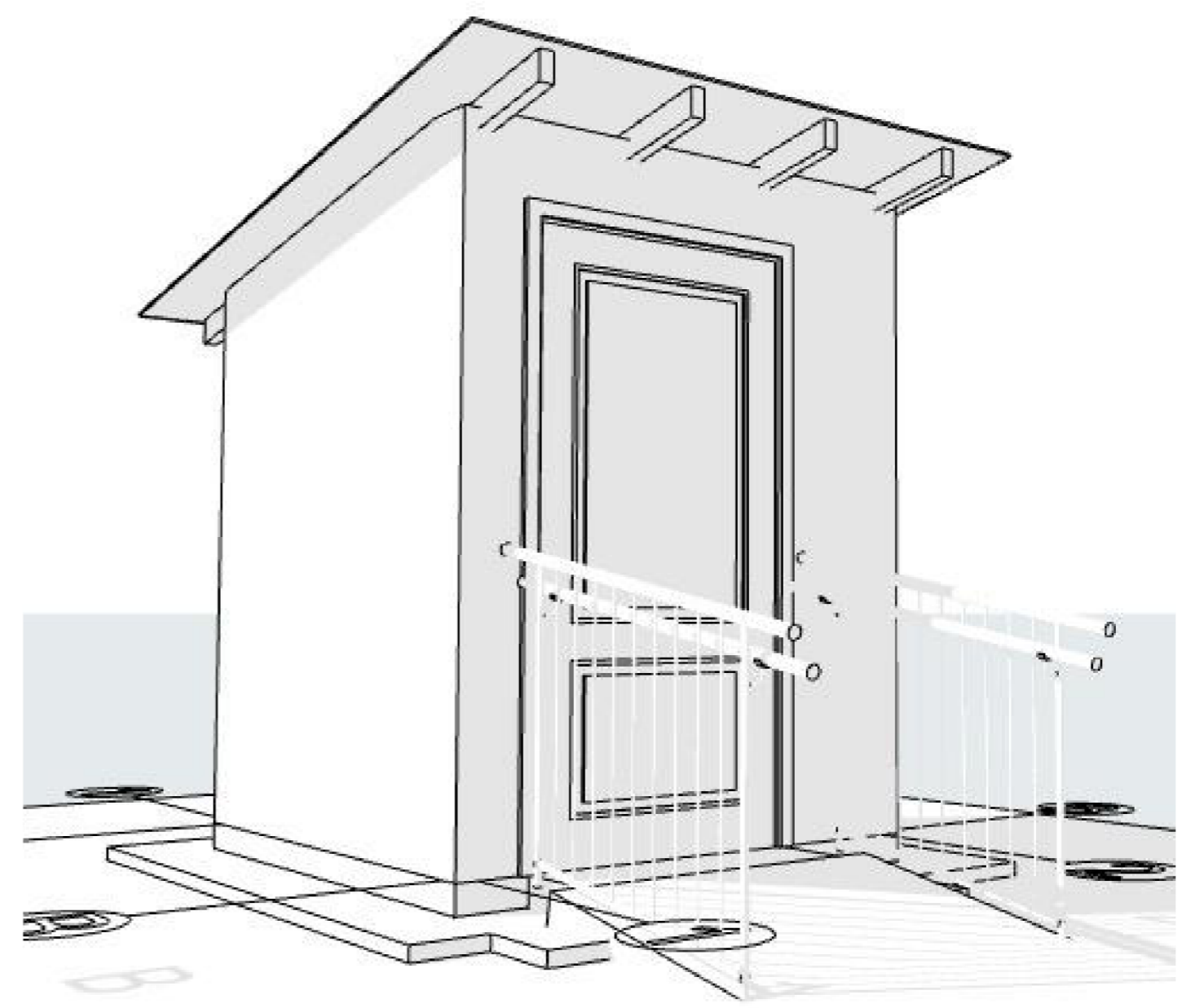


Roof pitch 10 degrees
 28 guage prepainted roof sheets
 100x50mm Timber purlins
 100x50mm timber rafters
 100x50mm ties and struts
 100x50mm timber tie beam
 100x50mm wall plate

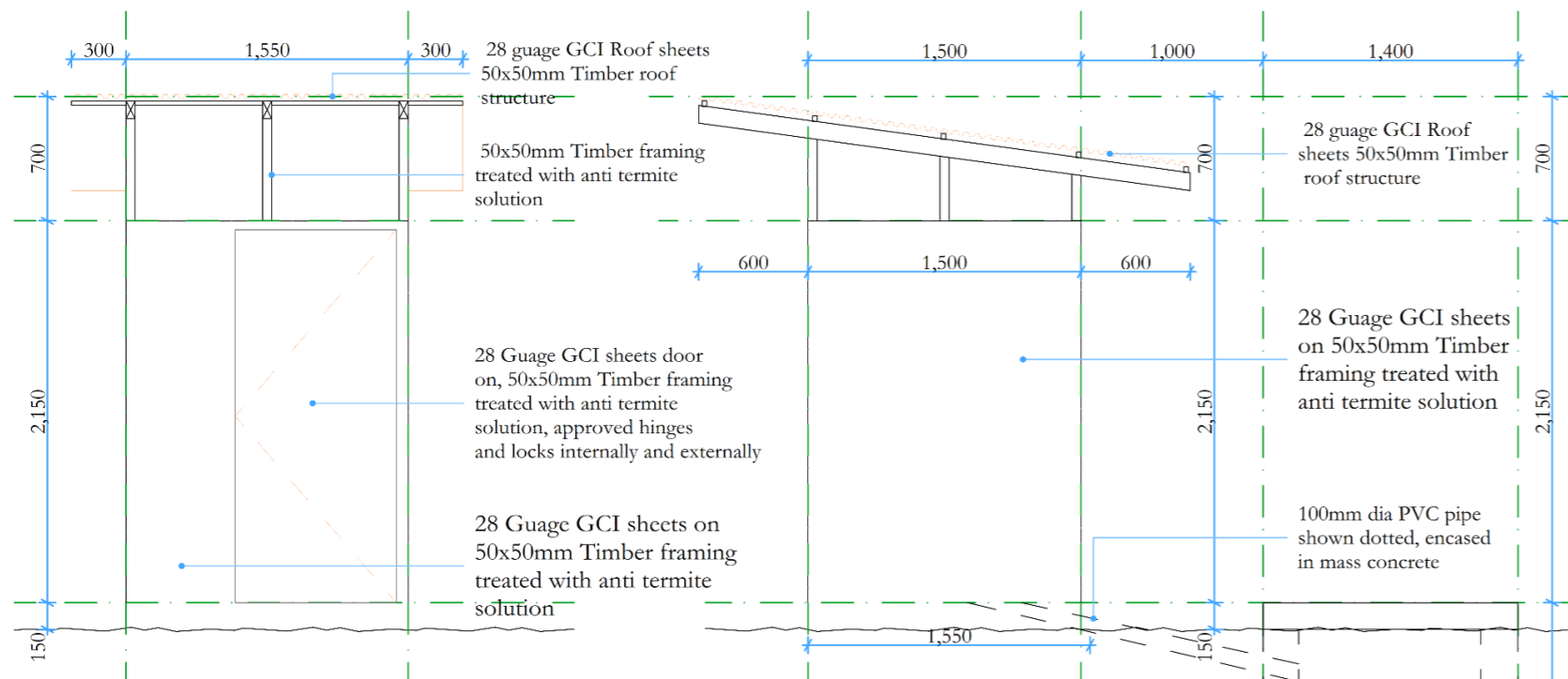
200x25mm Timber Fascia
 Vent blocks
 Burnt brick walling in cement sand mortar
 Black sheet internally for lining
 RC Ramp 1:12
 Mix design 1:2:4

500x200mm Strip foundation conc.
 Mix design 1:2:4

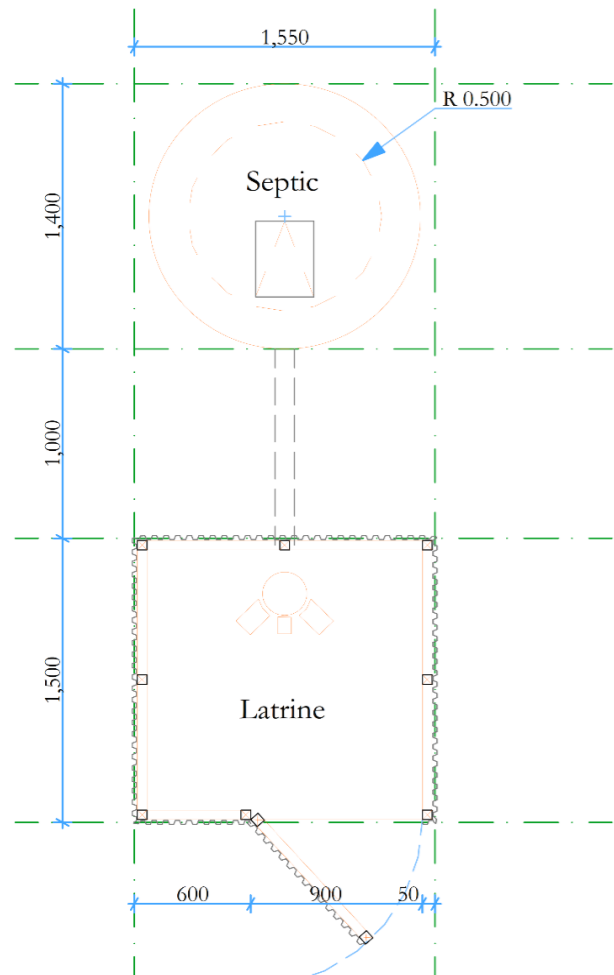
SECTION B2



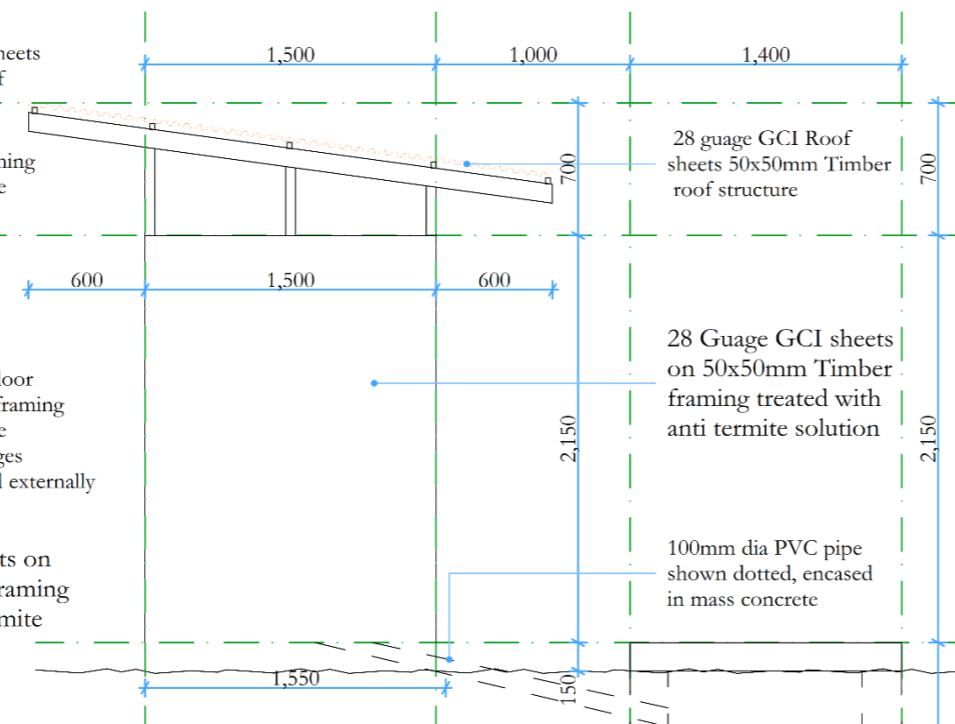
PROJECT TITLE:	FUNDED BY:	IMPLEMENTING AGENCY:	SHEET	3/5	DRAWING TITLE PROPOSED CONSTRUCTION OF PWD LATRINE
PROVISION OF LIFE SAVING SUPPORT TO IDPS AND HOST COMMUNITIES IN DAYNILE – BENADIR REGION			SCALE	1:100	
			DESIGNED		



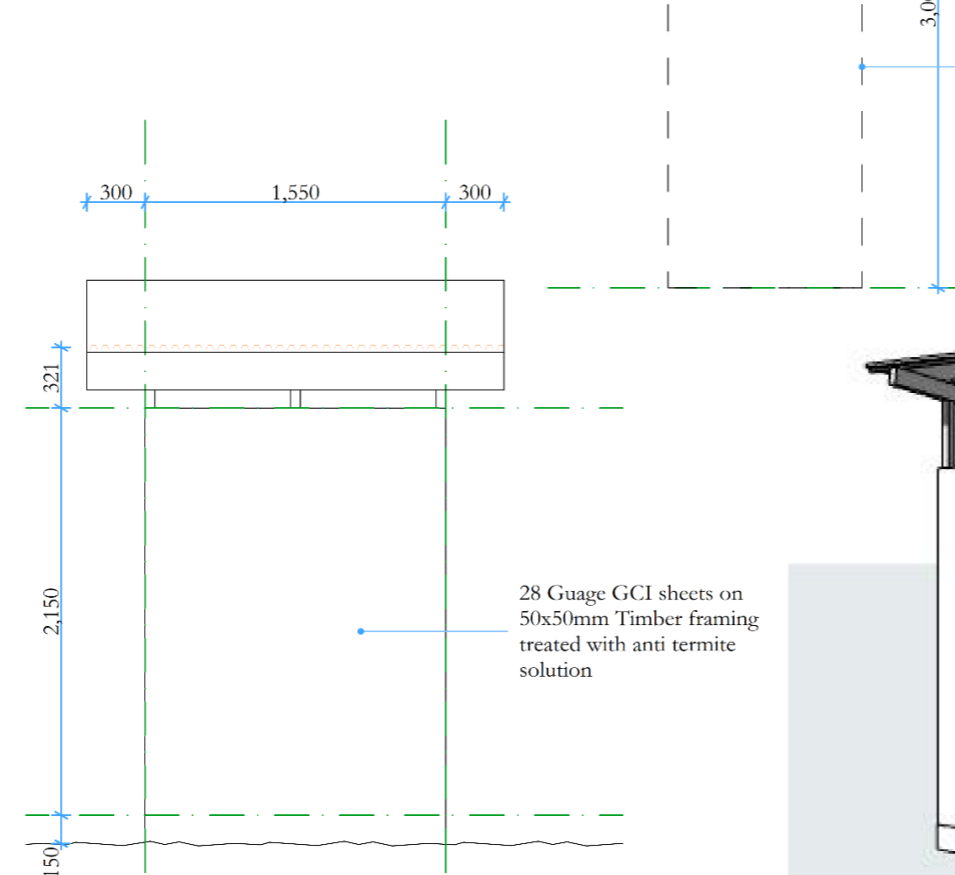
Front Elevation - HH latrine



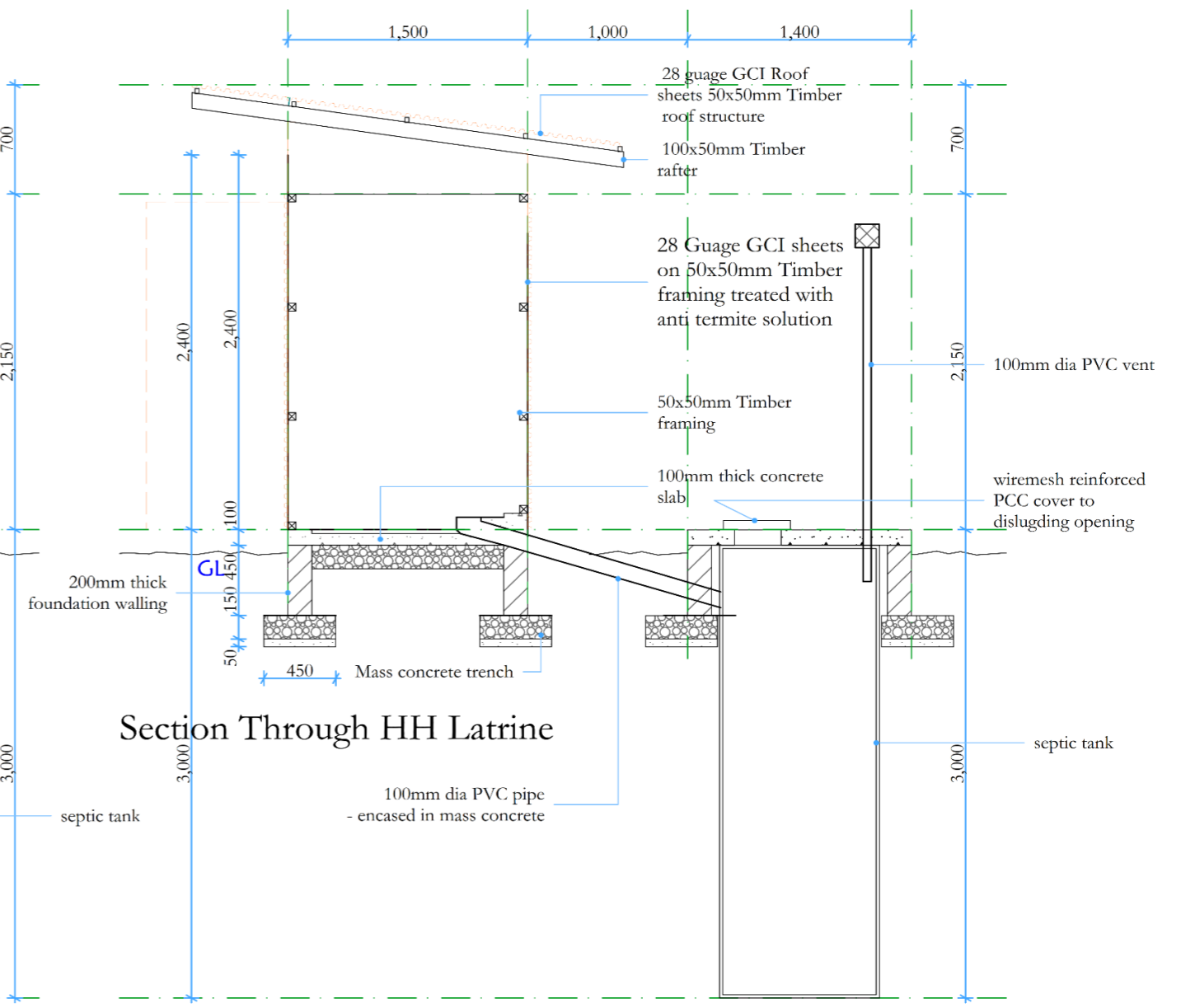
Plan - Household latrine



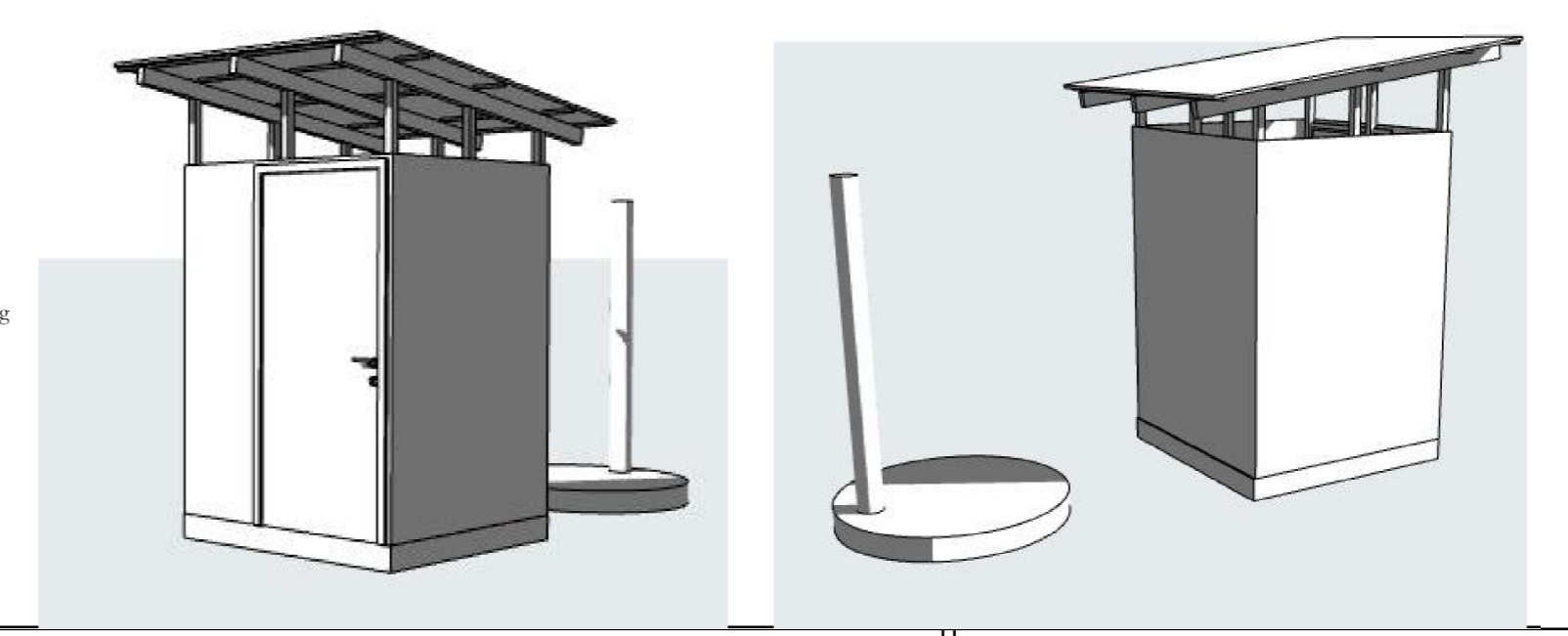
Side Elevation - HH latrine



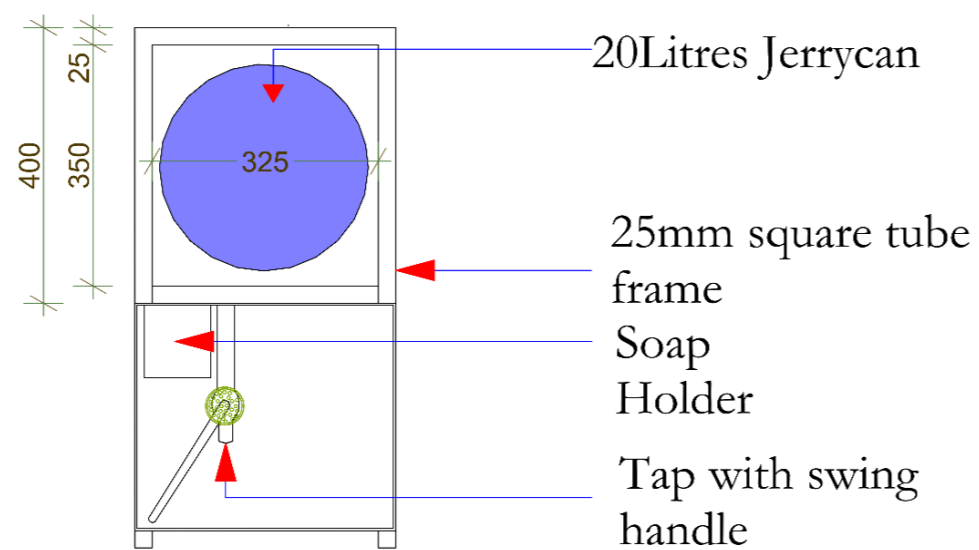
Rear Elevation - HH latrine



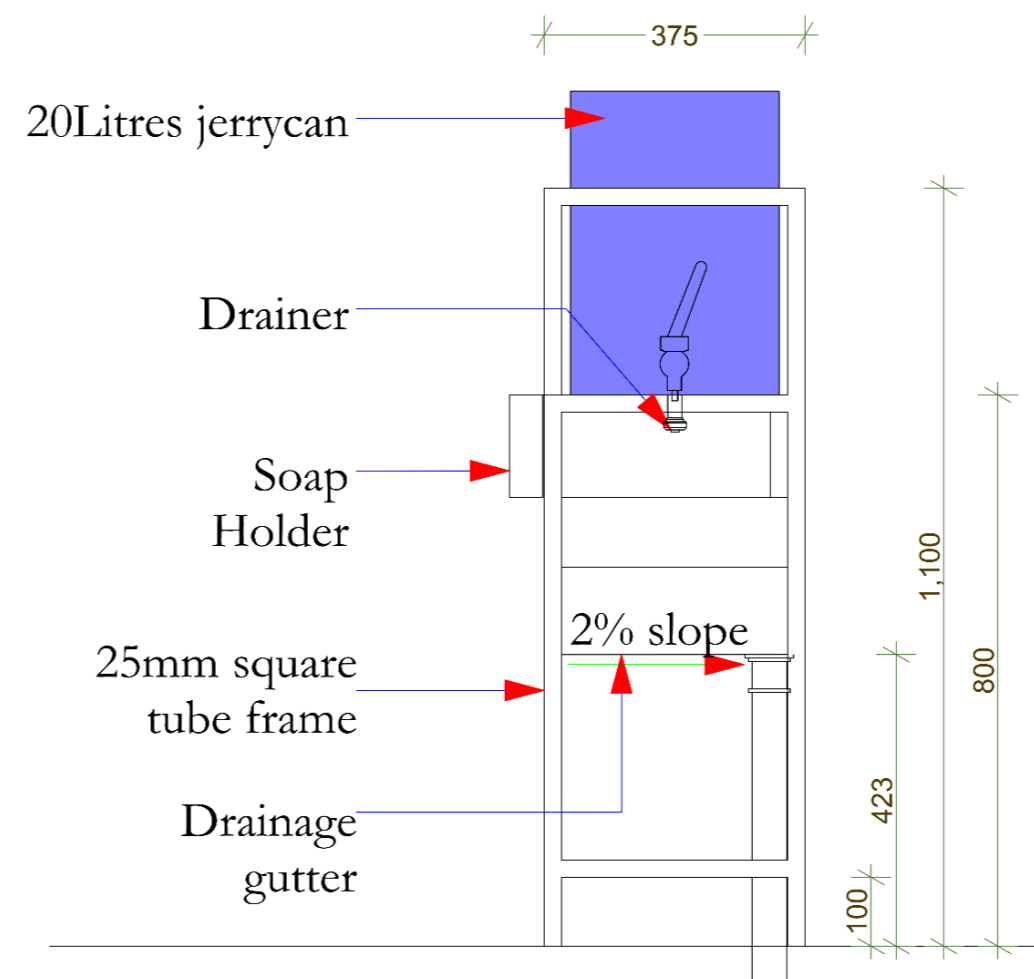
Section Through HH Latrine



PROJECT TITLE:	FUNDED BY:	IMPLEMENTING AGENCY:	SHEET	4/5	DRAWING TITLE PROPOSED CONSTRUCTION OF HOUSEHOLD LATRINE
PROVISION OF LIFE SAVING SUPPORT TO IDPS AND HOST COMMUNITIES IN DAYNILE – BENADIR REGION			SCALE	1:100	
			DESIGNED		



PLAN VIEW
SCALE 1:10



FRONT VIEW
SCALE 1:10

PROJECT TITLE:	FUNDED BY:	IMPLEMENTING AGENCY:	SHEET	5/5	DRAWING TITLE HANDWASHING FACILITY
PROVISION OF LIFE SAVING SUPPORT TO IDPS AND HOST COMMUNITIES IN DAYNILE – BENADIR REGION			SCALE	1:100	
			DESIGNED		