




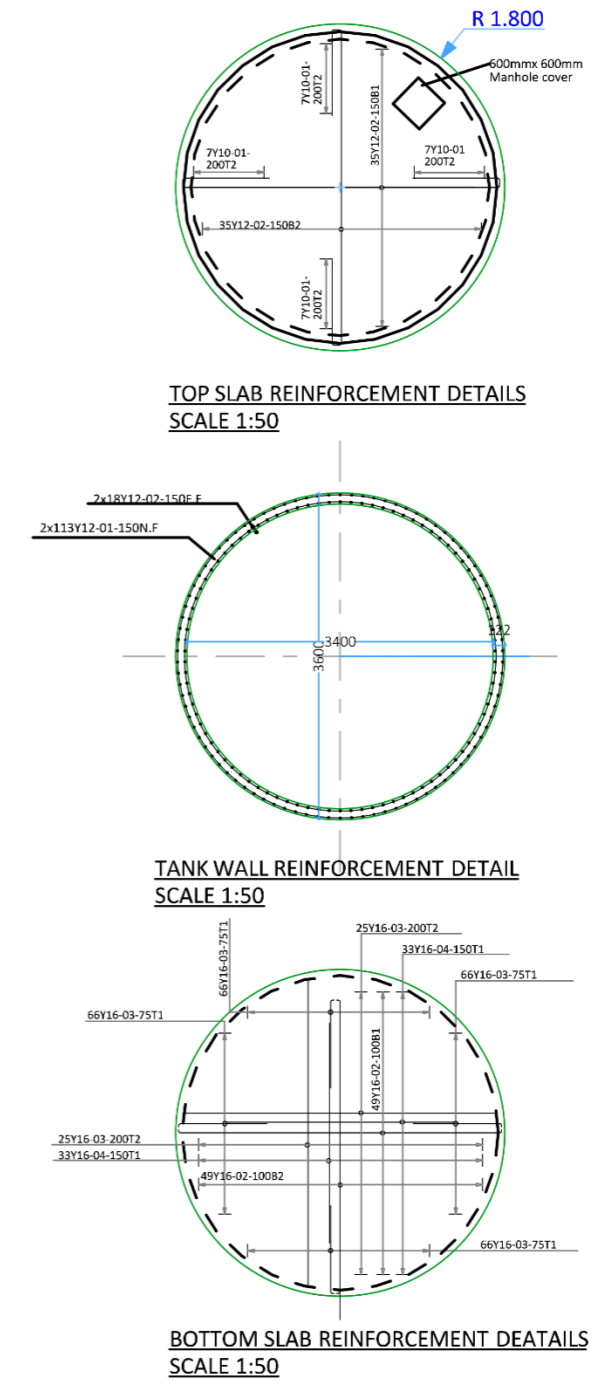
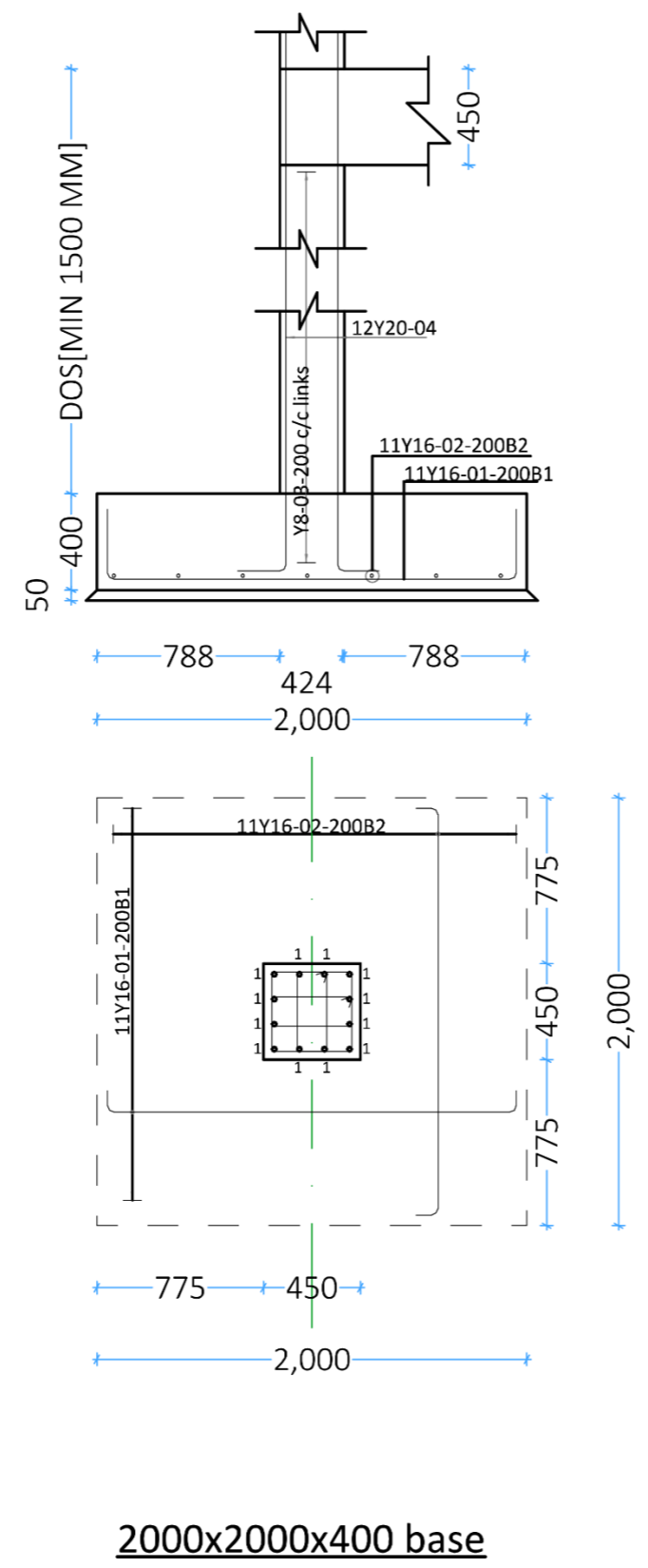
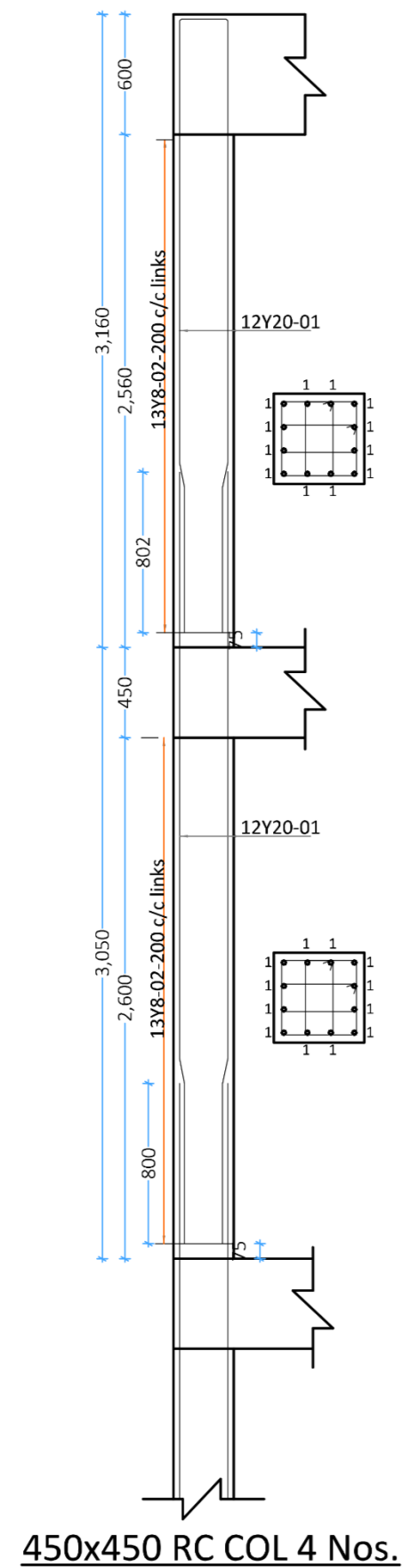
Graph: Min, Avg, Max Elevation: 75, 81, 89 m

Range Totals: Distance: 2.3 km Elev Gain/Loss: 16 m, -13 m Max Slope: 3.9%, -3.2% Avg Slope: 1.2%, -1.3%

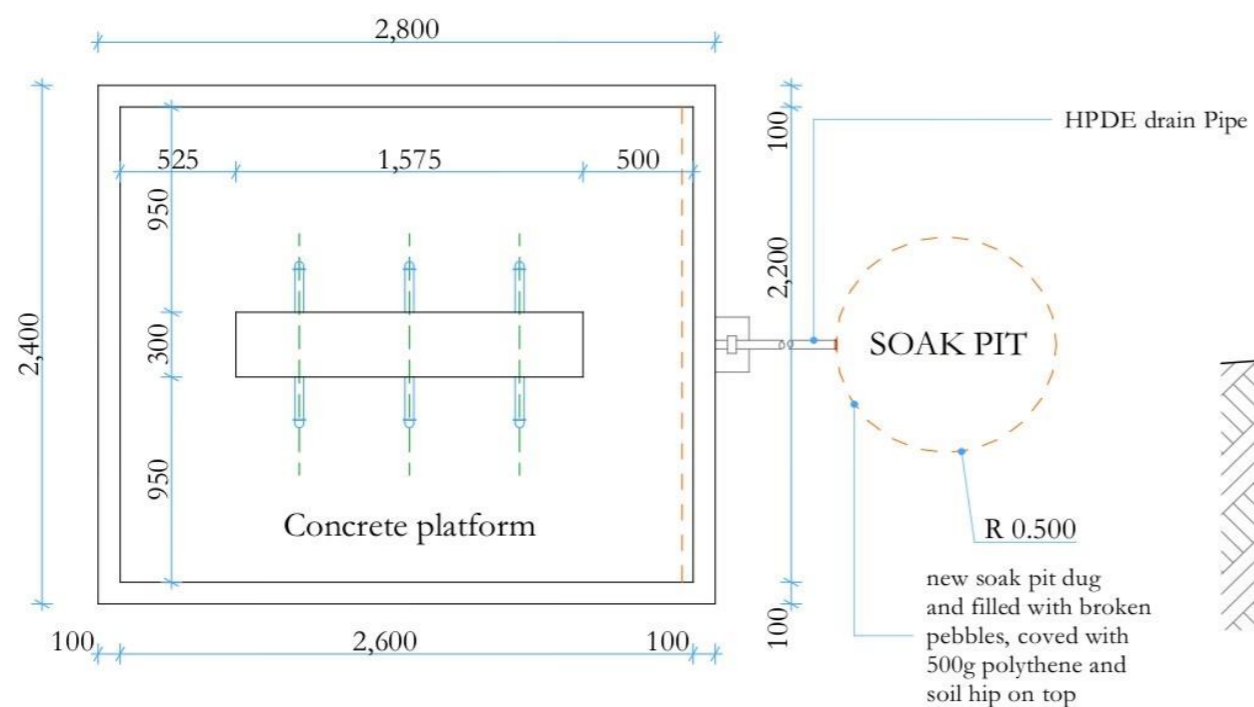


PROJECT TITLE:	DONOR:	IMPLEMENTING AGENCY:	SHEET	1/4	DRAWING TITLE
PROVISION OF LIFE SAVING SUPPORT TO IDPS AND HOST COMMUNITIES IN DAYNILE – BENADIR REGION			DESIGNED	MAGAN	2.30KM PIPELINE ROUTE
			CHECKED		

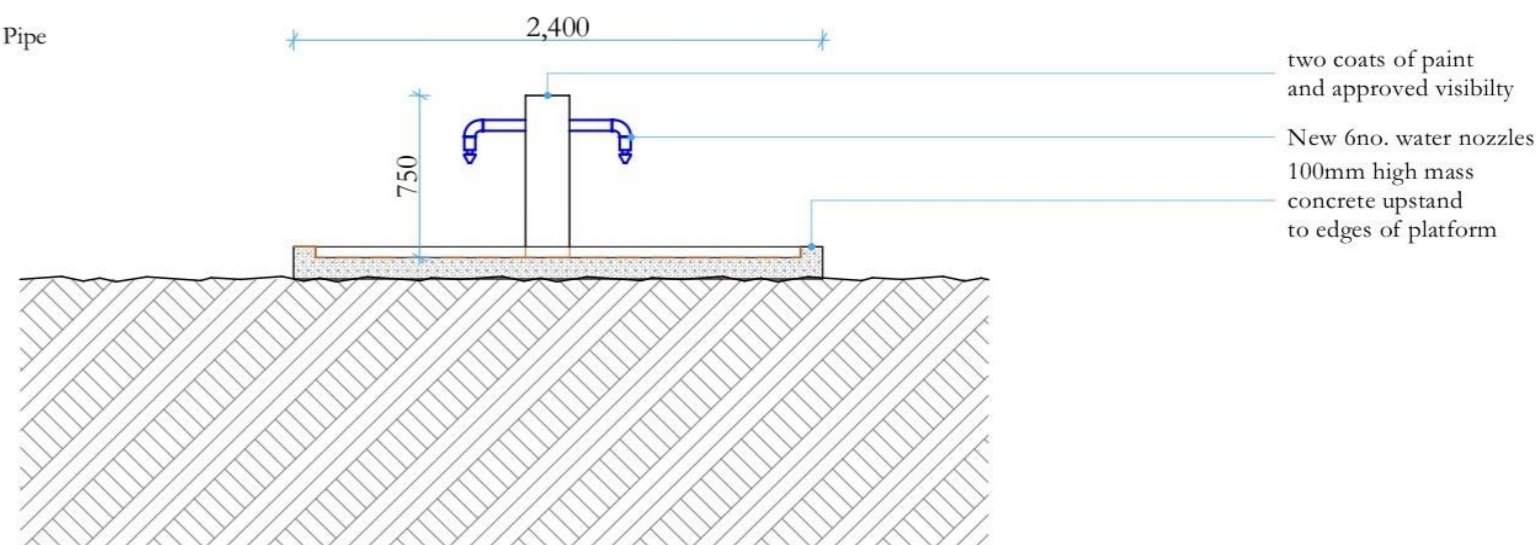




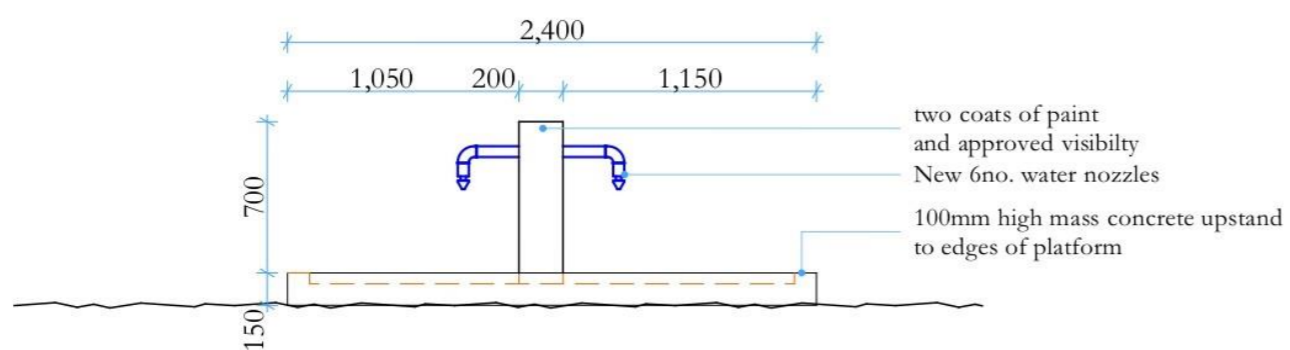
PROJECT TITLE:	DONOR:	IMPLEMENTING AGENCY:	SHEET	3/4	DRAWING TITLE PROPOSED CONSTRUCTION OF ELEVATED TANK
PROVISION OF LIFE SAVING SUPPORT TO IDPS AND HOST COMMUNITIES IN DAYNILE – BENADIR REGION			DESIGNED	MAGAN	
			CHECKED		



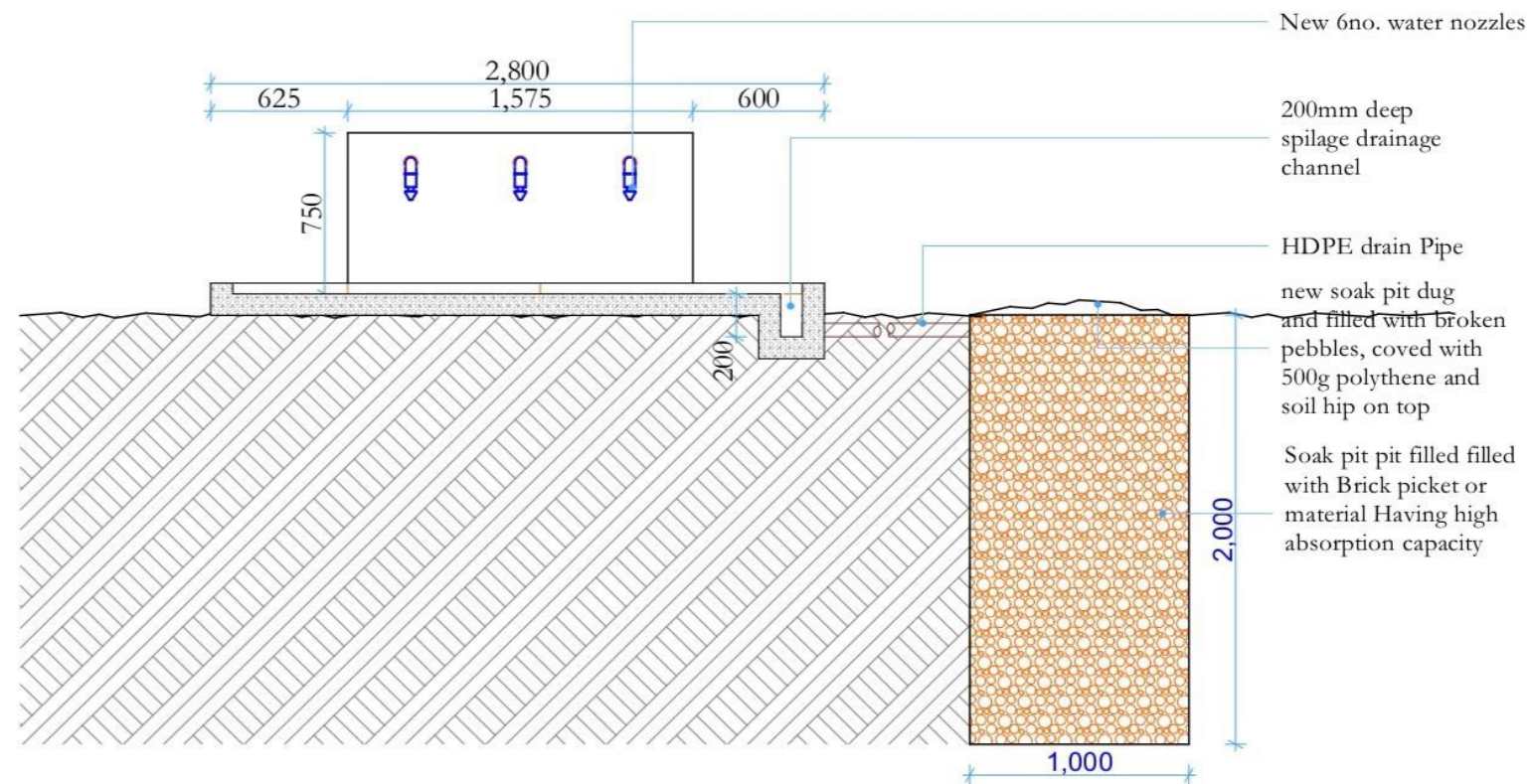
Plan L[---]03- Existing water point



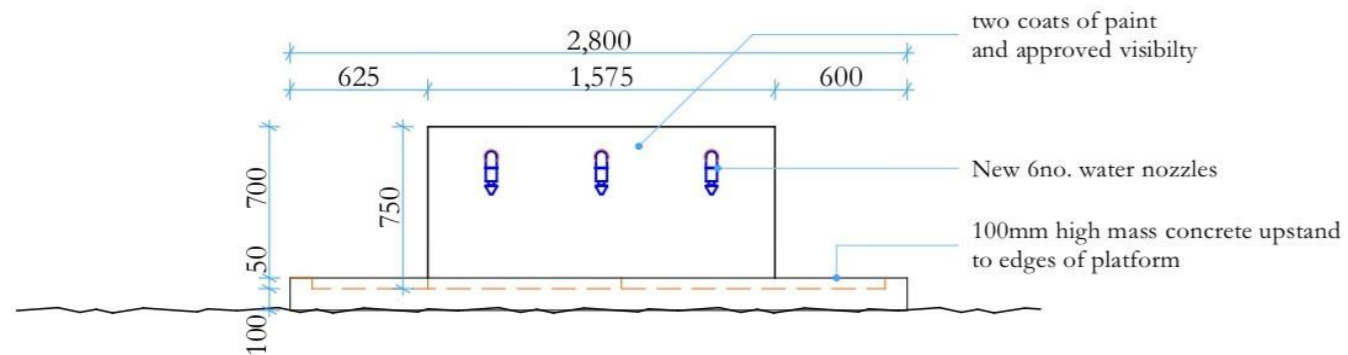
Section L[---]06 - Water point



Side Elevation L[---]04 Water point



Section L[---]07 - Water point



Front Elevation L[---]05 - Water point

PROJECT TITLE:	DONOR:	IMPLEMENTING AGENCY:	SHEET	4/4	DRAWING TITLE PROPOSED CONSTRUCTION OF WATER POINT
PROVISION OF LIFE SAVING SUPPORT TO IDPS AND HOST COMMUNITIES IN DAYNILE – BENADIR REGION			DESIGNED	MAGAN	
			CHECKED		